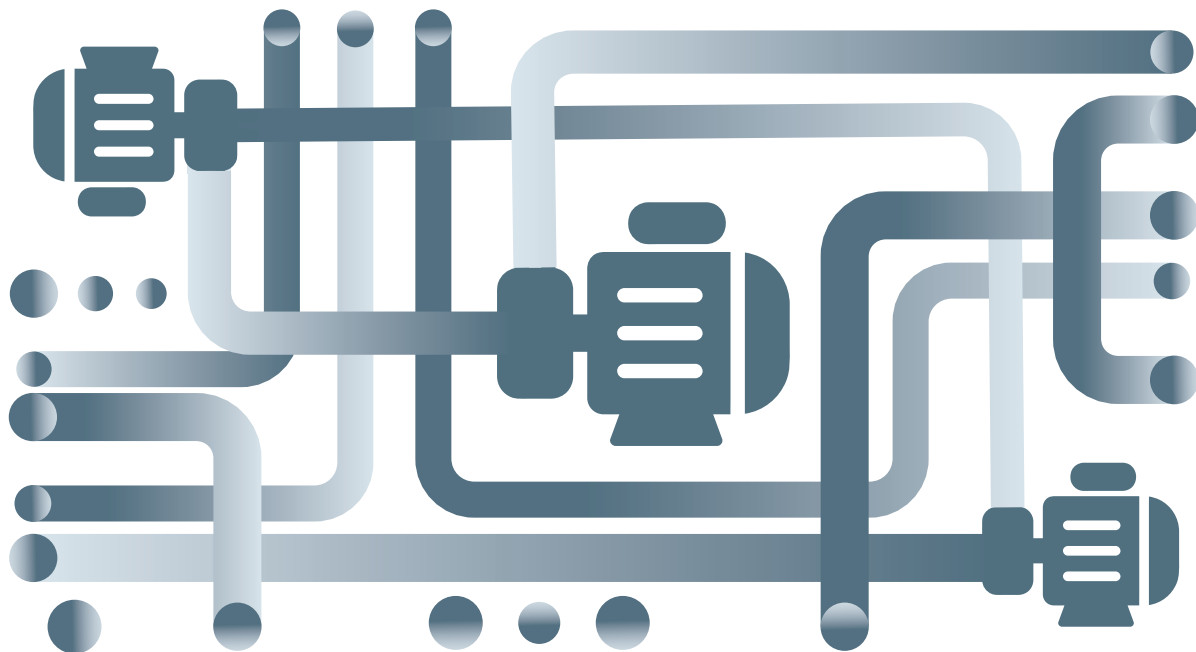


White paper



Pump alternating with failing pump detection

**A straightforward solution to reduce down time in
pumping stations**

Francesco Vedana
International Product Manager

February 2021

Pump alternating. A straightforward solution to reduce down time in pumping stations.



ABSTRACT

Managing alternating pumps may be complex and can be made much simpler as soon as the task is under the correct focus. We'll introduce some alternating pumps application examples, together with some ways to ensure correct working mode even in case of failure. As a bonus, the solution highlighted doesn't require investments or programming skills being plug and play.

INTRODUCTION

Pump alternating is a very common function used in two scenarios.

1. When a backup pump is required in case of main pump failure. A typical example is heating or cooling water circuits, where pump replacement time may be long and the cost of lack of service high, as the one due to having to empty the building, because it quickly becomes too hot or too cold.
2. When the expected flow isn't fixed, so more than one pump may be required to work at the same time. Usually the number of pumps is driven by float switches measuring the level of the basin to fill or empty.

In both cases, if one pump works all the time, the backup pump may fail when called into action. To avoid this issue, the pumps are alternated at every start, so they are ready when required. Finally, since in some cases service may be 24/7, the pumps must be alternated anyway automatically at regular intervals.

We want to show a simple solution to get the backup pump start automatically and have an alarm signal generated to trigger the maintenance team and fix the issue.

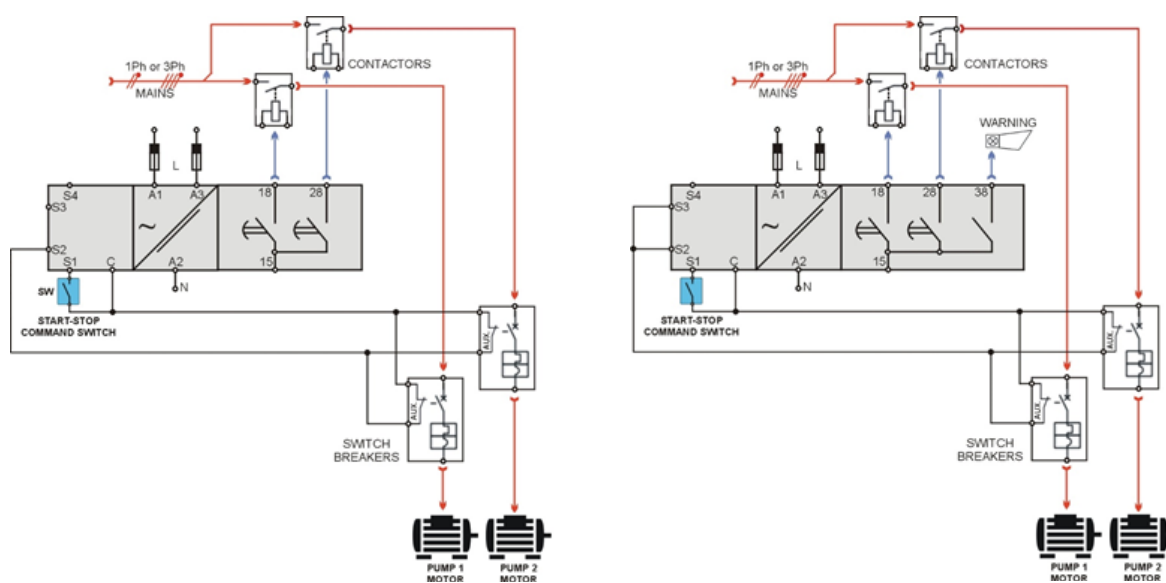
WHEN AND WHY PUMPS NEED TO BE ALTERNATED

<p>Reduce the down time of the pumping station</p>	<p>In a building where there is a big chiller for water cooling, service must be ensured, and the cost of a pump failure is so high to suggest duplicating the pump. There are two pumps, and they never need to run together.</p>
<p>Modulate the pumping capacity to follow the flow variations</p>	<p>Avoiding using a single pump sized for the maximum expected flow. When the water flow isn't constant, it makes more sense to use two or three smaller pumps and activate more than one at the same time if needed. In case of small flow, the pumps work one at a time and they alternate, while with larger flow two or three pumps work together. The down time reduction target is reached as much as the system is redundant. For instance, if a station is required to run with all pumps at the same time very often, with a failing pump there is the risk to go out of service (i.e.: empty basin or water overflow) than a station where all pumps seldom run together.</p>
<p>Have both primary and backup pumps always ready to work</p>	<p>Beyond avoiding to have a dead backup pump when needed, the target is to have uniform wear and tear on all the pumps, to increase the overall service life of the pumping equipment.</p>

HOW TO DETERMINE THAT A PUMP FAILED

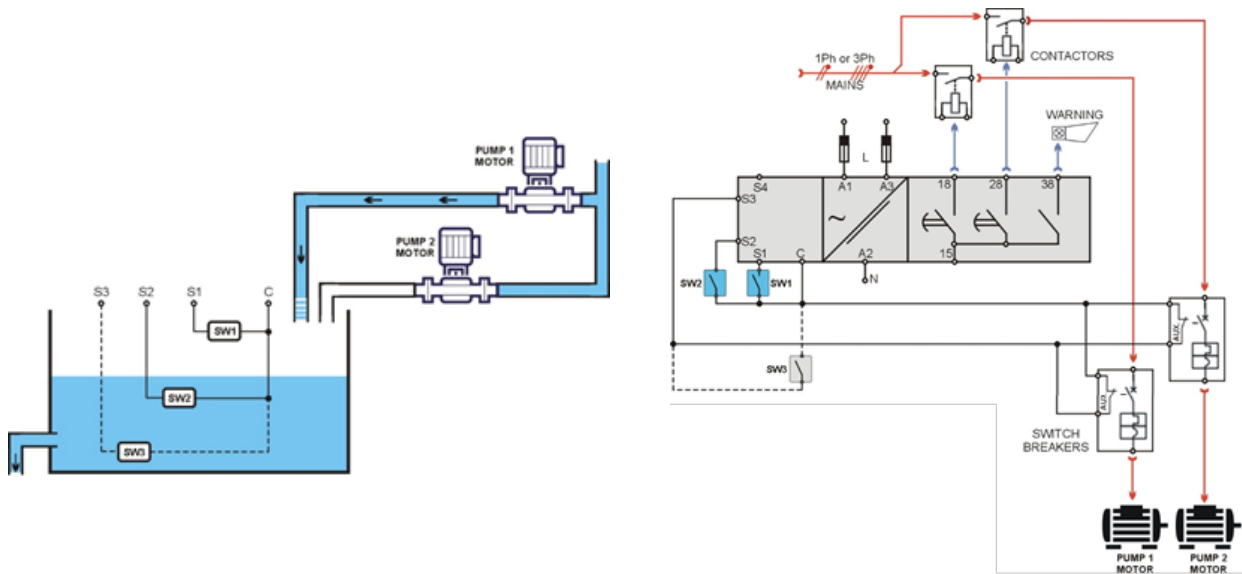
Pumps may fail in different ways. The enemy of the state is always dry running. Blocked outlet is also a big problem. These problems, together with most of the failures, lead to the magnetic or thermal protection of the pump to trip, so we can consider thermal and magnetic protection trip as the exhaustive signal of pump failure.

▶ CASE 1: PUMPS DON'T NEED TO RUN TOGETHER



Typical application	<p>Cold or hot water circulation to control the ambient temperature in a building. Usually the system is sized for one pump (variable heat demand is managed via water temperature or flow). The second pump is a real backup.</p>
The Carlo Gavazzi solution	<p>To manage this system, DLA71 is used. It is a pump alternating relay built to manage two pumps. A connection example is shown in the figure above on the left. Closing the contact between C and S1 activates one pump. Relay contacts 15-18 and 15-28 are closed alternatively every time S1 is activated to start the respective pump through the contactors. In case S1 remains close long (some cooling systems are active 24/7) the pumps are alternated automatically every six hours, reversing the status of 15-18 and 15-28.</p>
Managing pump failure	<p>What happens when a pump fails? In the figure above on the left, circuit breakers with an auxiliary normally open contact are used so that, in case the breaker opens, the auxiliary contact is closed. The protection which matters and trips the breaker is usually the thermal one. The auxiliary contacts of the two pumps are connected in parallel and to S2. S2 is the input of DLA71 to activate both pumps at the same time.</p> <p>The result is that, when a pump fails, DLA71 activates both pumps, resulting in having the service operating as requested. In case the user wants to relay the alarm from the circuit breakers, DLA73 can be used. The only difference is shown in the figure above on the right, where the aux contacts are also connected to S3. Being triggered by the auxiliary contacts of the circuit breakers, the 15-38 output informs the supervisor to activate the maintenance team to organise pump repair. This may happen via a light, a main panel, or connected to a PLC which can relay the information remotely.</p>

CASE 2: PUMPS MAY NEED TO RUN TOGETHER



<p>Typical application</p>	<p>The most common cases are filling a basin with clear water or emptying one from dirty water. In the connection example shown in the figure above on the left, SW1 and SW2 are float switches in the basin and we consider the task of the pumps to refill the basin when it is emptying.</p>
<p>The Carlo Gavazzi solution</p>	<p>To manage this system, DLA73 is used. It is a pump alternating relay built to manage two pumps with an additional alarm contact output. A connection example is shown in the figure above on the right.</p> <p>SW1 manages the low level of the basin, below which one pump starts to refill. When the level goes above SW1, the switch opens and the pump stops. Opening and closing SW1 (and so S1) causes the two pumps to alternate at every start. As before, if the pump remains active for more than six hours, the two pumps are alternated automatically.</p> <p>SW2 detects the alarm level for the basin, which is lower than SW1, meaning that one pump is already running, but the outflow is more than the pumping capacity and the basin keeps emptying rather than filling. When SW2 is closed, DLA73 activates both pumps at the same time to recover more quickly the basin level. When SW2 is disengaged, one pump is turned OFF and when SW1 is also disengaged both pumps are off. The start and stop sequence of the pumps follows the logic that the pump started earlier is stopped earlier.</p>
<p>Managing pump failure</p>	<p>When one pump fails, the auxiliary contacts of the circuit breakers also close S3 to trigger the alarm output, so maintenance is called for action. In this condition the system works with the remaining pump activated by SW2 (the alarm level switch) and turned OFF by SW1 (the low level switch). It goes without saying that there is a higher risk to run out of water due to the reduced pumping capacity.</p>
<p>Adding a float switch for level alarm</p>	<p>Optional float switch SW3 may be used to further signal empty basin alarm both in normal conditions and in pump failure condition.</p>

ALTERNATING VARIABLE SPEED PUMPS

What if the pumps are managed via variable speed drives or softstarters? Everything is very much the same. If the drive provides a reliable pump failure contact, it can be used to have the other drive start the second pump with the same logic explained above. The case where one pump is at variable speed and one isn't doesn't change the landscape.

In case 1: the variable water flow is managed by the main controller to ensure the correct heat flow.

In case 2: switch SW3 can also be connected to an input on the drive to trigger max speed and reduce the risk of emptying the basin.

THE CARLO GAVAZZI SOLUTIONS

HEATING OR COOLING WATER CIRCULATION

SOLUTION	The requests are to alternate the pumps regularly and to provide service also when one pump fails. DLA71 and DLA73 are quick and simple solutions to perform the task. DLA73 provides an additional relay output to be used for alarm signalling. The total size of the solution in the electrical panel is also highly reduced against PLC-based ones. Proper connection of the pump thermal protections ensure operation in case of pump failure. Using DLA73, an alarm signal is present to alert maintenance. Both solutions are offered in setting free 35.5 mm DIN-rail housing.
ADVANTAGES	<ul style="list-style-type: none"> • Space saving • Easy to install • No settings and no programming steps

Suggested device	DLA71DB232P or DLA73TB232P DLA71DB482P or DLA73TB482P
Power supply voltage	115, 230 V ac or 24, 48 V ac in two variants
Housing type	35.5 mm DIN-rail housing
Standard function	2 pumps alternating with automatic function if a pump is left ON for more than 6 hours
Main purpose	Ensure water circulation also in case of one pump failure without service interruption



WATER LEVEL MANAGEMENT

SOLUTION	DLA73 delivers the task of having to empty or fill a basin using two pumps. One or two pumps may work at the same time according to the requested water flow. An additional alarm float switch can be connected to provide alarm for all cases when pumping capacity isn't sufficient. The total size of the solution in the electrical panel is also highly reduced against PLC-based ones. Proper connection of the pump thermal protections ensure operation in case of pump failure and an alarm signal is available. Both solutions are offered in setting free 35.5 mm DIN-rail housing.
ADVANTAGES	<ul style="list-style-type: none"> • Space saving • Easy to install • No settings and no programming steps

Suggested device	DLA73TB232P or DLA73TB482P
Power supply voltage	115, 230 V ac or 24, 48 V ac in two variants
Housing type	35.5 mm DIN-rail housing
Standard function	2 pumps alternating with automatic function if a pump is left ON for more than 6 hours
Main purpose	Provide the correct water flow activating one or two pumps and keeping one pump active when the other one fails





CONCLUSIONS

Pump alternating can be solved quickly and easily with simple and small apparatus. The application doesn't need programming skills, being ready to work. Also fault monitoring can be included with little effort to reduce the down time and the consequences for the users.

Disclaimer: Carlo Gavazzi assumes no liability whatsoever for indirect, collateral, accidental or consequential damages or losses that occur by (or in connection with) the distribution and/or use of this document. All information published in this document is provided "as is" by Carlo Gavazzi. None of this information shall establish any guarantee, commitment or liability of Carlo Gavazzi. The technical specifications of products, and the contents relevant to the topics reported in this document are subject to change. Errors and omissions excepted. No reproduction or distribution, in whole or in part, of this document without prior permission, is allowed.

OUR SALES NETWORK IN EUROPE

AUSTRIA

Carlo Gavazzi GmbH
Ketzergasse 374,
A-1230 Wien
Tel: +43 1 888 4112
Fax: +43 1 889 10 53
office@carlogavazzi.at

BELGIUM

Carlo Gavazzi NV/SA
Mechelsesteenweg 311,
B-1800 Vilvoorde
Tel: +32 2 257 4120
Fax: +32 2 257 41 25
sales@carlogavazzi.be

DENMARK

Carlo Gavazzi Handel A/S
Over Hadstensevej 40,
DK-8370 Hadsten
Tel: +45 89 60 6100
Fax: +45 86 98 15 30
handel@gavazzi.dk

FINLAND

Carlo Gavazzi OY AB
Ahventie, 4 B,
FI-02170 Espoo
Tel: +358 9 756 2000
myynti@gavazzi.fi

FRANCE

Carlo Gavazzi Sarl
Zac de Paris Nord II, 69, rue de la Belle
Etoile,
F-95956 Roissy CDG Cedex
Tel: +33 1 49 38 98 60
Fax: +33 1 48 63 27 43
french.team@carlogavazzi.fr

GERMANY

Carlo Gavazzi GmbH
Pfnorstr. 10-14
D-64293 Darmstadt
Tel: +49 6151 81000
Fax: +49 6151 81 00 40
info@gavazzi.de

GREAT BRITAIN

Carlo Gavazzi UK Ltd
4.4 Frimley Business Park,
Frimley, Camberley, Surrey GU16
7SG
Tel: +44 1 276 854 110
Fax: +44 1 276 682 140
sales@carlogavazzi.co.uk

ITALY

Carlo Gavazzi SpA
Via Milano 13,
I-20045 Lainate
Tel: +39 02 931 761
Fax: +39 02 931 763 01
info@gavazziacbu.it

NETHERLANDS

Carlo Gavazzi BV
Wijkermeerweg 23,
NL-1948 NT Beverwijk
Tel: +31 251 22 9345
Fax: +31 251 22 60 55
info@carlogavazzi.nl

NORWAY

Carlo Gavazzi AS
Melkeveien 13,
N-3919 Porsgrunn
Tel: +47 35 93 0800
Fax: +47 35 93 08 01
post@gavazzi.no

PORTUGAL

Carlo Gavazzi Lda
Rua dos Jerónimos 38-B,
P-1400-212 Lisboa
Tel: +351 21 361 7060
Fax: +351 21 362 13 73
carlogavazzi@carlogavazzi.pt

SPAIN

Carlo Gavazzi SA
Avda. Iparraguirre, 80-82,
E-48940 Leioa (Bizkaia)
Tel: +34 94 480 4037
Fax: +34 94 431 6081
gavazzi@gavazzi.es

SWEDEN

Carlo Gavazzi AB
V:a Kyrkogatan 1,
S-652 24 Karlstad
Tel: +46 54 85 1125
Fax: +46 54 85 11 77
info@carlogavazzi.se

SWITZERLAND

Carlo Gavazzi AG
Verkauf Schweiz/Vente Suisse
Sumpfstrasse 3,
CH-6312 Steinhausen
Tel: +41 41 747 4535
Fax: +41 41 740 45 40
info@carlogavazzi.ch

OUR SALES NETWORK IN THE AMERICAS

USA

Carlo Gavazzi Inc.
750 Hastings Lane,
Buffalo Grove, IL 60089, USA
Tel: +1 847 465 6100
Fax: +1 847 465 7373
sales@carlogavazzi.com

CANADA

Carlo Gavazzi Inc.
2660 Meadowvale Boulevard,
Mississauga, ON L5N 6M6, Canada
Tel: +1 905 542 0979
Fax: +1 905 542 22 48
gavazzi@carlogavazzi.com

MEXICO

Carlo Gavazzi Mexico S.A. de C.V.
Circuito Puericultores 22, Ciudad
Satelite Naucalpan de Juarez, Edo
Mex. CP 53100 Mexico
T +52 55 5373 7042
F +52 55 5373 7042
mexicosales@carlogavazzi.com

BRAZIL

Carlo Gavazzi Automação Ltda. Av.
Francisco Matarazzo, 1752
Conj 2108 - Barra Funda - São Paulo/
SP
Tel: +55 11 3052 0832
Fax: +55 11 3057 1753
info@carlogavazzi.com.br

OUR SALES NETWORK IN ASIA AND PACIFIC

SINGAPORE

Carlo Gavazzi Automation Singapore
Pte. Ltd.
61 Tai Seng Avenue #05-06
Print Media Hub @ Paya Lebar iPark
Singapore 534167
Tel: +65 67 466 990
Fax: +65 67 461 980
info@carlogavazzi.com.sg

MALAYSIA

Carlo Gavazzi Automation (M) SDN.
BHD.
D12-06-G, Block D12,
Pusat Perdagangan Dana 1,
Jalan PJU 1A/46, 47301 Petaling
Jaya,
Selangor, Malaysia.
Tel: +60 3 7842 7299
Fax: +60 3 7842 7399
info@gavazzi-asia.com

CHINA

Carlo Gavazzi Automation
(China) Co. Ltd.
Unit 2308, 23/F.,
News Building, Block 1,1002
Middle Shennan Zhong Road,
Shenzhen, China
Tel: +86 755 83699500
Fax: +86 755 83699300
sales@carlogavazzi.cn

HONG KONG

Carlo Gavazzi Automation
Hong Kong Ltd.
Unit No. 16 on 25th Floor, One Midtown,
No. 11 Hoi Shing Road, Tsuen Wan,
New Territories, Hong Kong
Tel: +852 26261332
Fax: +852 26261316

OUR COMPETENCE CENTRES AND PRODUCTION SITES

DENMARK

Carlo Gavazzi Industri A/S
Hadsten

MALTA

Carlo Gavazzi Ltd
Zejtun

ITALY

Carlo Gavazzi Controls SpA
Belluno

LITHUANIA

Uab Carlo Gavazzi Industri Kaunas
Kaunas

CHINA

Carlo Gavazzi Automation (Kunshan)
Co., Ltd.
Kunshan

HEADQUARTERS

Carlo Gavazzi Automation SpA
Via Milano, 13
I-20045 - Lainate (MI) - ITALY
Tel: +39 02 931 761
info@gavazziautomation.com



CARLO GAVAZZI
Automation Components

Energy to Components!

www.gavazziautomation.com



WP PUMP ENG REV.00 02/21
Specifications are subject to change without notice. Images are for illustrative purposes only.